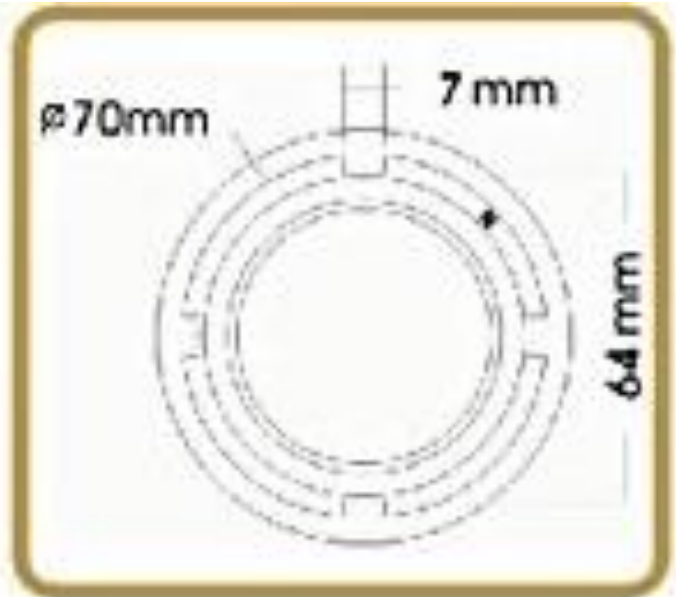
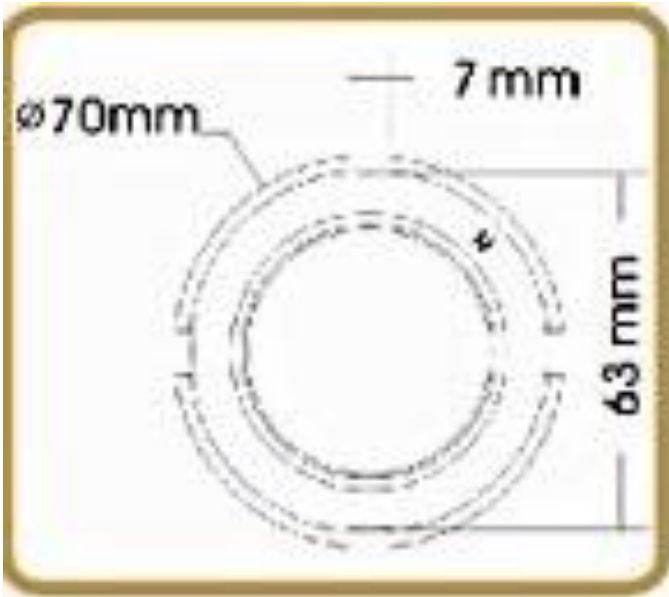


Arios-1090 Socket Series 3/4"Dr. & 1/2Dr.

Arios A1090 Scania Truck (310/320/340) Transmission socket 3/4dr.



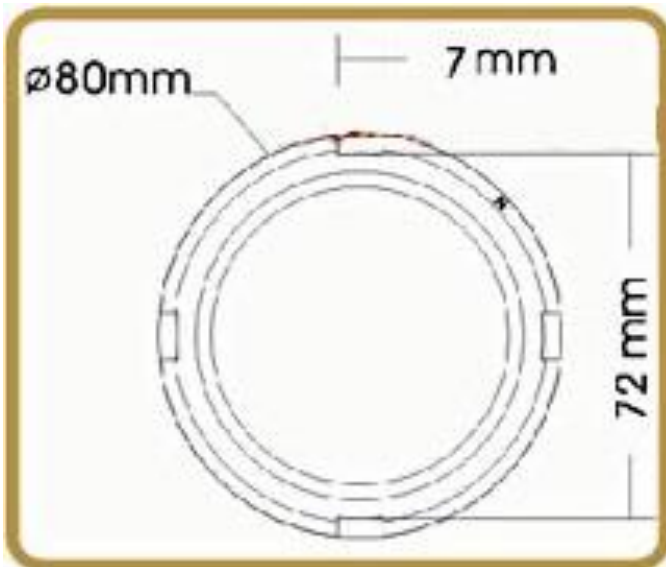
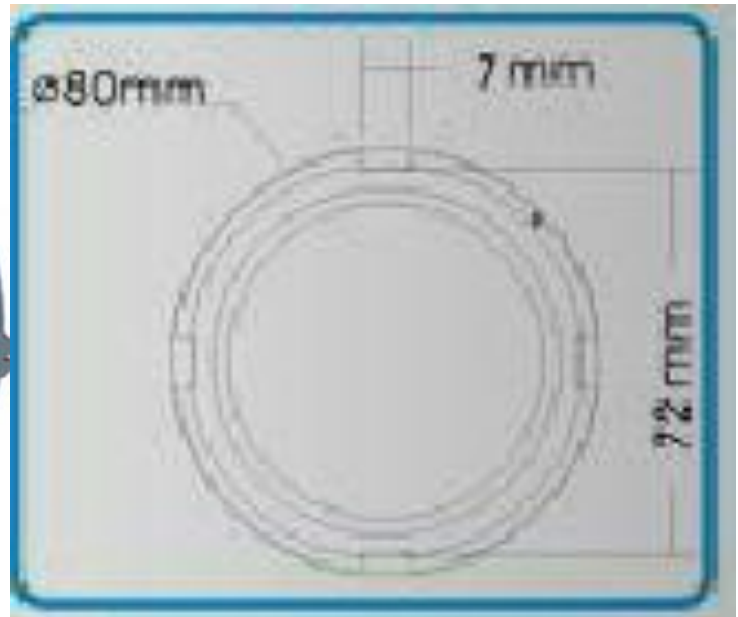
Description

Use for Scania transmission flange Shaft, on transmission, and rear axle.

Application: Scania 310(112)320(113)/340(114)

Rear spindle (8/10) speed

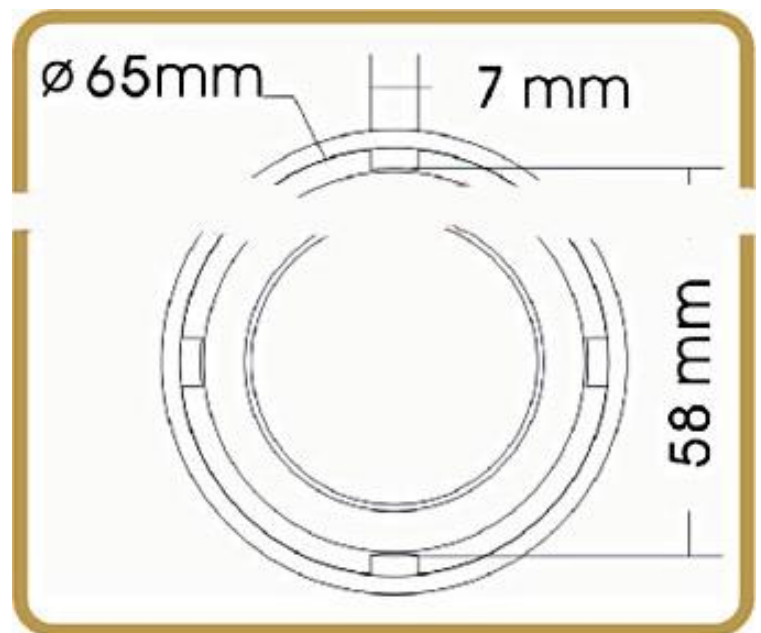
Arios-B1090 Scania transmission clutch front main shaft socket $\frac{3}{4}$ dr.



Description:

Scania transmission clutch front main shaft socket $\frac{3}{4}$ dr.

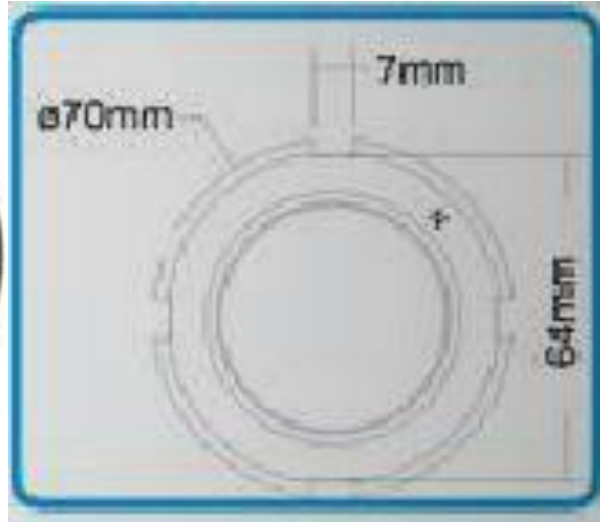
Arios-C1090 Scania 8-Speed Bus Transmission nut socket ¾" dr



Description

Scania 8-Speed Bus Transmission nut socket ¾" dr

Arios D1090 Scania transmission clutch front main axle nut socket (3/4 dr.)



Description:

For Extracting / Installing the front main Axle of the transmission clutch nut on Scania Truck with 10 speed automatic transmission

Arios E1090 Scania PTO nut Socket (1/2"Dr.



Description:

For Removing / replacing the Scania hauler tractor truck PTO nut, also for the third axle hanger nut on the trailer

Arios F1090 Scania (340) transmission Clutch Front main Shaft Socket 3/4dr.



Description

For Extracting / Installing the front main shaft of the transmission clutch nut on Scania (340) Truck

Arios G1090 Scania Differential rear axle nut socket (Dr.3/4")



Description

- * for removing/installing differential rear pinion nut.
- * Genuine nut number: 1338267
- * Genuine tool number: 98480
- * Applicable: SCANIA (3- series) differential gear rear nut.
- * EX: RB660, RB662, RBP735/835...