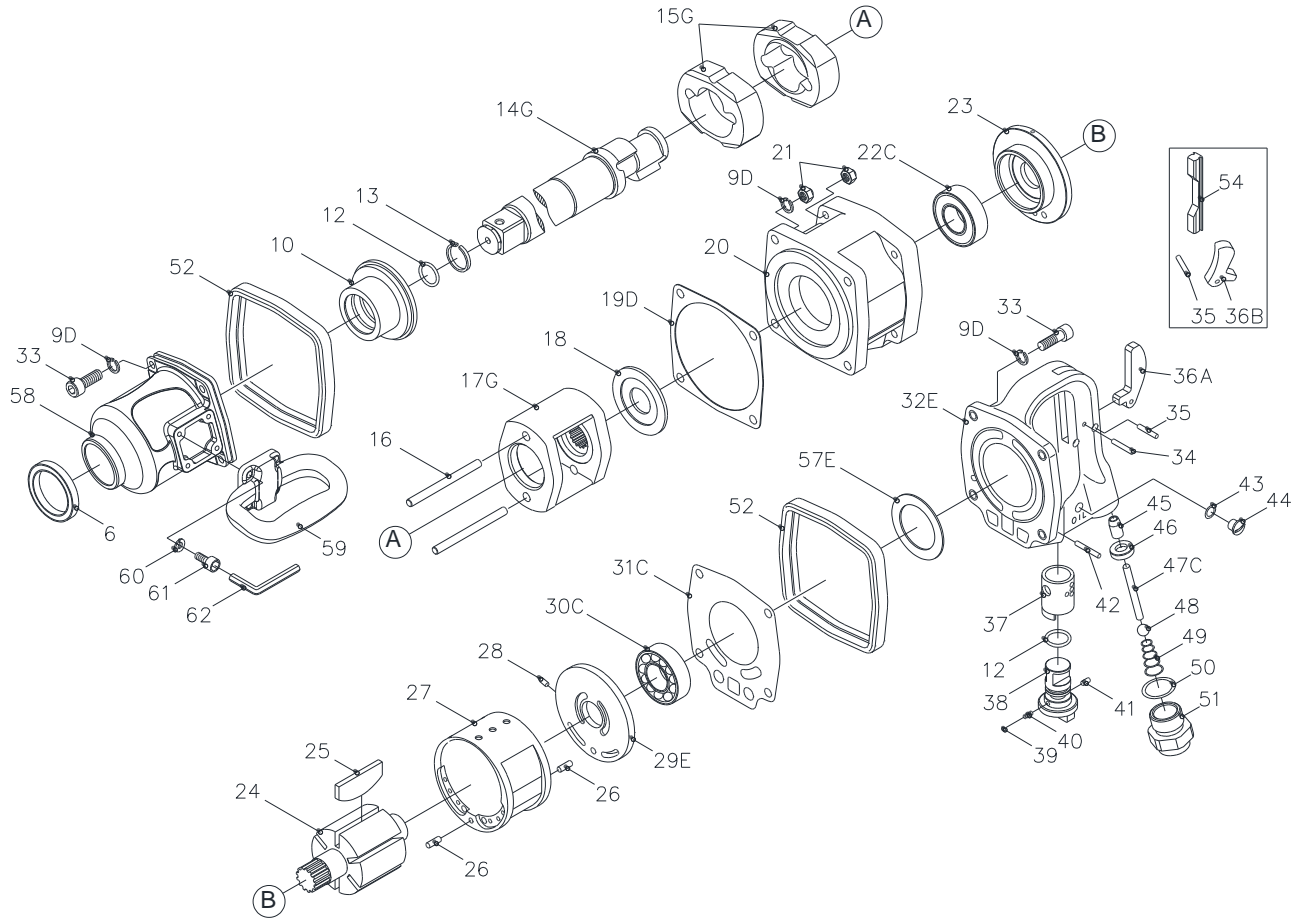


1" AIR IMPACT WRENCH W/8" ANVIL / AT-5186L



SPECIFICATIONS :

* SQUARE DRIVE ----- 1"
 * MAX TORQUE----- 1800 FT-LBS
 * AIR PRESSURE ----- 90 -115 PSI
 * AIR INLET ----- 1/2-PT(NPT)

* BOLT CAPACITY----- 1-1/2"
 * FREE SPEED ----- 4,000 RPM
 * HOSE SIZE ----- 1/2" ID

REF NO.	PARTS NO.	DESCRIPTION	Q'TY	REF NO.	PARTS NO.	DESCRIPTION	Q'TY
6	T5186A-06	OIL SEAL	1	##36A	T5186A-36A	OUTER TRIGGER	1
9D	T5186A-09D	SPRING WASHER	12	36B	T5186A-36B	INNER TRIGGER	1
10	T5186A-10	BUSHING	1	37	T5186A-37	REVERSE VALVE BUSHING	1
12	T5186A-12	"O" RING (d17.8×W2.4)	2	38	T5186A-38	REVERSE VALVE	1
13	T5186A-13	ANVIL COLLAR	1	39	T5186A-39	STEEL BALL	1
14G	T5186LA-14G	8"ANVIL	1	40	T5186A-40	SPRING	1
15G	T5186A-15G	HAMMER	2	41	T5186A-41	SPRING PIN	1
16	T5186A-16	HAMMER PIN	2	42	T5186A-42	SPRING PIN	1
17G	T5186A-17G	HAMMER CAGE	1	43	T5186A-43	"O" RING	1
18	T5186A-18	REAR WASHER	1	44	T5186A-44	OIL CHAMBER SCREW	1
19D	T5186A-19D	FRONT GASKET	1	45	T5186A-45	VALVE BUSHING	1
20	T5186A-20	MOTOR HOUSING	1	46	T5186A-46	BUSHING	1
21	T5186A-21	LOCK NUT (M8)	8	##47C	T5186A-47AC	VALVE STEM (OUTER)	1
22C	T5186A-22C	BALL BEARING	1	47C	T5186A-47BC	VALVE STEM (INNER)	1
23	T5186A-23	FRONT END PLATE	1	48	T5186A-48	STEEL BALL	1
24	T5186A-24	ROTOR	1	49	T5186A-49	SPRING	1
25	T5186A-25	ROTOR BLADE	6	50	T5186A-50	"O" RING	1
26	T5186A-26	SPRING PIN	2	51	T5186A-51	AIR INLET	1
27	T5186A-27	CYLINDER	1	52	T5186A-52	HOUSING BAND	2
28	T5186A-28	SPRING PIN	1	54	T5186A-54	RUBBER PROTECTOR	1
29E	T5186A-29E	REAR END PLATE	1	57E	T5186A-57E	GASKET	1
30C	T5186A-30C	BALL BEARING	1	58	T5186A-58	HAMMER CASE	1
31C	T5186A-31C	REAR GASKET	1	59	T5186A-59	HANDLE	1
32E	T5186A-32E	HANDLE FRAME	1	60	T5186A-60	SPRING WASHER	4
33	T5186A-33	CAP SCREW	8	61	T5186A-61	CAP SCREW	4
34	T5186A-34	SPRING PIN	1	62	T5186A-62	HEX. WRENCH	1
35	T5186A-35	PIN	1				

Optional Parts

1807010

** To get maximum performance and life of your tool, replace the whole set Parts Kit is highly recommended.